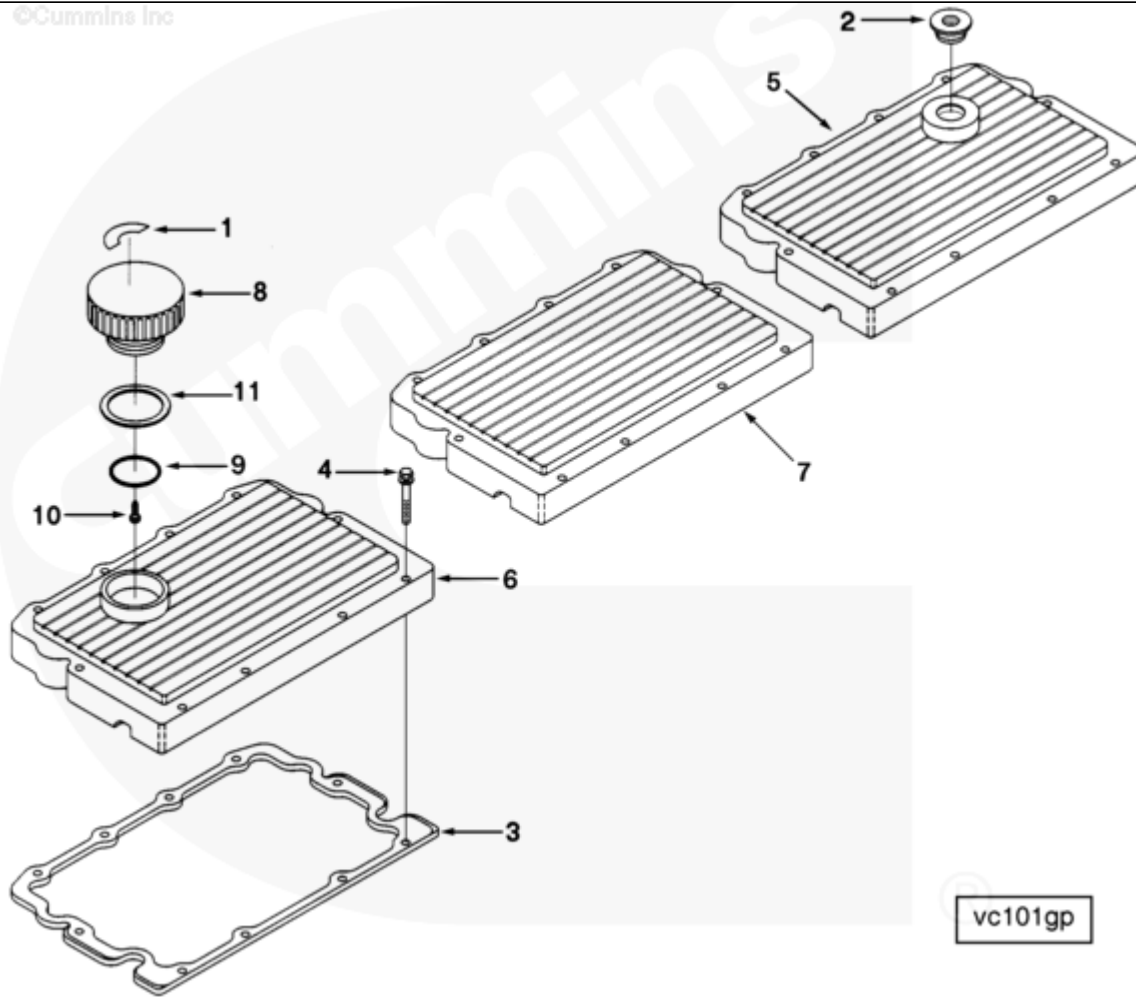




## Parts Catalog - Option Detail

Electronic Parts Catalog - Option Detail				
Option	Group	Graphic	Film Card	Date
VC1031-03	03.01.1	vc101gp	FF	14-SEP-98
<b>Engines</b>	G855, G855 CM558, GTA855 CM558 (CM2358) G101, N14 CELECT, N14 CELECT PLUS, N14 MECHANICAL, NH/NT 855, QSM11 CM876 M101, QSM11 CM876 M102M, QSN14 CM876 N103, QSN14 CM876 N105, QSNT14 CM876 N102			

©Cummins Inc



[SMALL](#) | [MEDIUM](#) | [LARGE](#)

Cart	Ref No	Part Number	Part Description	Required	Remarks
<a href="#">View My Cart</a>					
		<a href="#">VC1031-03</a>	Valve Cover		<a href="#">Cast aluminum valve covers...(More)</a>
					and mounting with oil fill
					located over No. 1 cylinder

					and breather located over
<input type="checkbox"/>	1	<a href="#">3027935</a>	Decal	1	Not Shown in Graphic.
<input type="checkbox"/>	2	<a href="#">3042401</a>	Grommet Seal	1	
<input type="checkbox"/>	3	<a href="#">3066311</a>	Rocker Lever Cover Gasket	3	
<input type="checkbox"/>	4	<a href="#">3071157</a>	Captive Washer Cap Screw	30	1/4 - 20 x 2 inch
<input type="checkbox"/>	5	<a href="#">3075019</a>	Rocker Lever Cover	1	
<input type="checkbox"/>	6	<a href="#">3078347</a>	Rocker Lever Cover	1	
<input type="checkbox"/>	7	<a href="#">3078349</a>	Rocker Lever Cover	1	
<input type="checkbox"/>	8	<a href="#">3081141</a>	Filler Cap	1	Cam lock design
<input type="checkbox"/>	9	<a href="#">3026393</a>	O-Ring Seal	1	
<input type="checkbox"/>	10	<a href="#">3081140</a>	Self Tapping Metal Screw	1	
<input type="checkbox"/>	11	<a href="#">3412297</a>	Spring Washer	1	